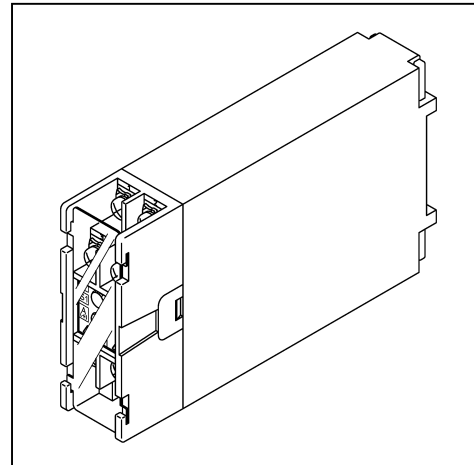
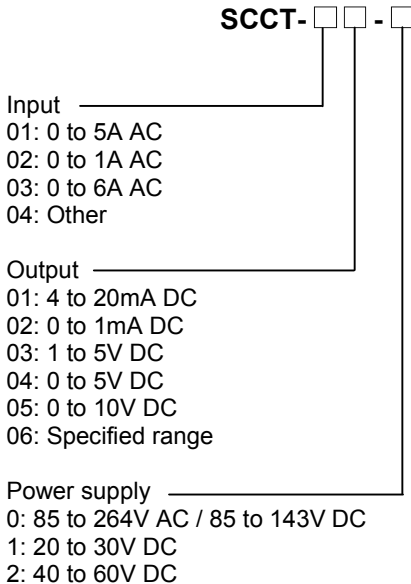


AC Current Transducer

Model: **SCCT**

Model



How to order

Specify a model.
(e.g.) SCCT-0101-0

Input specifications

Frequency: 50/60Hz
 Continuous load: 1.2 times rated input current
 Momentary overload:
 10 times (for 16 sec) rated input current
 20 times (for 4 sec) rated input current
 40 times (for 1 sec) rated input current

Output specifications

DC current

Output range	Allowable load resistance
4 to 20mA DC	600Ω or less
0 to 1mA DC	10kΩ or less

DC voltage

Output range	Allowable load resistance
1 to 5V DC	1kΩ or more
0 to 5V DC	
0 to 10V DC	

Adjustment range: Approx. ±3 to 5%

Performance

Action method: RMS computation
 Conversion accuracy: ±0.5% (to the output span)
 At ambient temperature: 23 ± 2°C,
 ambient humidity: 45 to 70%RH
 Output ripple: 1%p-p (to the output span)
 Response time: Within 0.5sec (90% of step input response)
 Linearity: ±0.5% (to the output span)
 Effect of self heating: ±0.5% (to the output span)
 Effect of temperature: ±0.5% (to the output span)
 At 23 ± 20°C of ambient temperature
 Effect of external magnetic field: ±0.5% (to the output span)
 At 400A/m of external magnetic field
 Effect of supply voltage: ±0.25% (to the output span)
 At ±10% of supply voltage
 Effect of frequency: ±0.25% (to the output span)
 At ±5% of rated frequency
 Effect of output load: ±0.25% (to the output span)
 Within a range of allowable load resistance
 Effect of wave form: ±0.5% (to the output span)
 The input from the third harmonic wave (20% of fundamental wave) plus the fundamental wave
 Insulation resistance: 50MΩ or more, at 500V DC
 Between Electric circuit - Ground terminal
 Between Input terminal - Output terminal
 Between Power terminal - I/O terminals
 Dielectric strength: 2kV AC for 1minute
 Between Electric circuit - Ground terminal
 Between Input terminal - Output terminal
 Between Power terminal - I/O terminals

General structure

Case : Flame resistant resin Color: Black
 Terminal block : Flame resistant resin Color: Black
 Terminal cover : Transparent polycarbonate

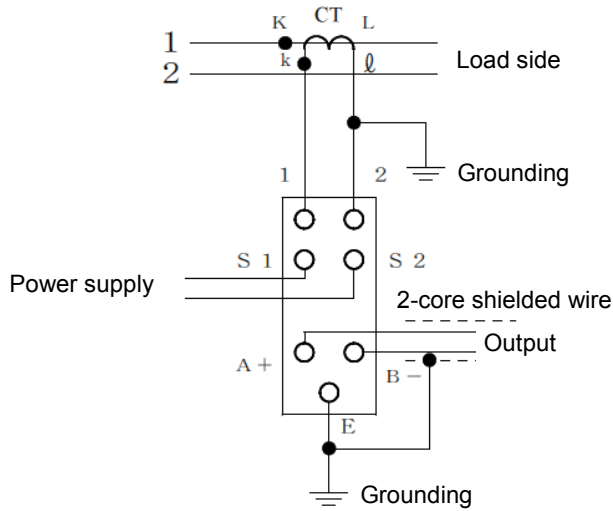
■ Installation specifications

Power consumption
 Measurement side : 0.3VA or less
 Power supply side : 2VA or less (for 85 to 264V AC/
 85 to 143V DC)
 Power supply side : 2W or less (for 24/48V DC spec)
 Ambient temperature: -10 to 55°C
 Ambient humidity : 30 to 85%RH (non-condensing)
 Weight : Approx. 200g
 Mounting : DIN rail mounting
 External dimensions : 25 (W) x 100 (H) x 128 (D)mm

■ Accessories

Instruction manual : 1 copy
 Terminal cover : 1 piece

■ Terminal connection



■ External dimensions (Scale: mm)

