

Electronic self-balancing recorder



SR-200 series

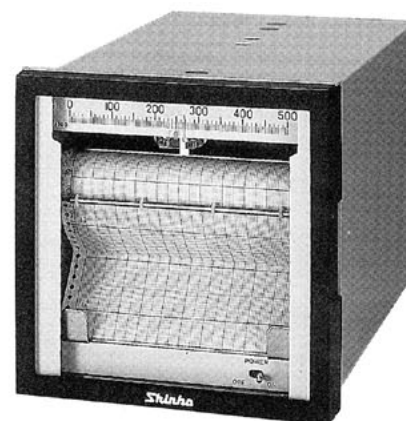
■ Features

- Simple structure and low malfunction.
- Accurately linearizes the scale.
- Multi-point version utilizes highly reliable input switch.

■ Model name

S R - 2 0 □ - □ □ □ □		SR-200 series
Measuring point	1	1 point (Pen writing type)
	2	2 point (Pen writing type)
	6	6 point (Dot printing type)
Input	E	Thermocouple: K, R, J, T (Type to be specified)
	R	RTD: Pt100, JPt100 (Type to be specified)
	A	Current: 4 to 20mAdc
	V	Voltage: 0 to 10mVdc, 0 to 1Vdc
Options	L H	High and Low limit alarm actions
	C S □	Chart speed
	H D	Hand strap for portable type

When ordering, fill the blank □ from the type listed above.
For option, enter the type after comma (,).



■ Rated scale

Thermocouple				RTD	Current, Voltage
K	J	T	R	Pt100	4 to 20mAdc, 0 to 10mVdc, 0 to 1Vdc
0 to 200°C (2°C)	0 to 200°C (2°C)	0 to 200°C (2°C)	0 to 1600°C (20°C)	-50 to 50°C (1°C)	-50 to 50°C (1°C)
0 to 300°C (5°C)	0 to 300°C (5°C)	0 to 300°C (5°C)		0 to 50°C (0.5°C)	0 to 50°C (0.5°C)
0 to 400°C (5°C)	0 to 400°C (5°C)	0 to 400°C (5°C)		0 to 100°C (1°C)	0 to 100°C (1°C)
0 to 500°C (5°C)	0 to 500°C (5°C)			0 to 150°C (2°C)	0 to 150°C (2°C)
0 to 600°C (10°C)	0 to 600°C (10°C)			0 to 200°C (2°C)	0 to 200°C (2°C)
0 to 800°C (10°C)				0 to 300°C (5°C)	0 to 300°C (5°C)
0 to 1000°C (10°C)					0 to 400°C (5°C)
0 to 1200°C (20°C)					0 to 500°C (5°C)
					0 to 600°C (10°C)
					0 to 800°C (10°C)
					0 to 1000°C (10°C)
					0 to 1200°C (20°C)

(): Temperature for 1 scale

■ Standard specifications

Measuring point	1 point (SR-201), 2 point (SR-202), 6 point (SR-206)
Input	• Thermocouple: K, R, J, T (External resistance: 100Ω or less) • Current: 4 to 20mAdc • RTD : Pt100, JPt100 3-wire system • Voltage: 0 to 10mVdc, 0 to 1Vdc
Indicating/recording structure	Indicator : Self-balancing type Scale length: 100mm
Indicating/recording performance	Accuracy : Within ±0.5%FS Sensitivity : ±0.1%FS Balancing time : Within 1.6sec Indicating range: See rated scale
Recording method	SR-201, SR-202: Pen writing type, SR-206: Dot printing type
Ink color	SR-201: 1 (Red) SR-202: 1 (Red), 2 (Blue) SR-206: 1 (Purple), 2 (Red), 3 (Green), 4 (Indigo), 5 (Brown), 6 (Black)

Shinbo

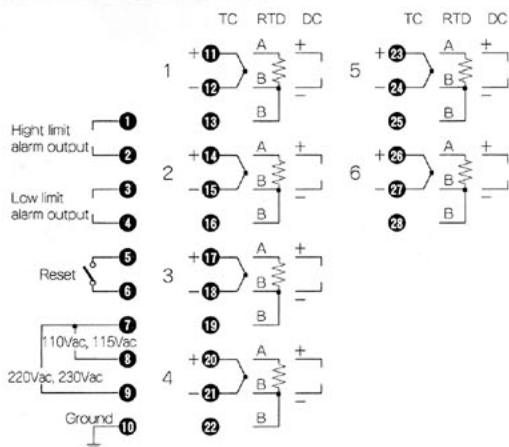
Standard specifications

Printing interval	SR-206 : 50Hz: printing interval per dot is 5sec 60Hz: printing interval per dot is 4.2sec		
Chart speed	25, 50, 100mm/h (gear ratio changing method)		
Chart paper	Self-folding strip chart Effective width: 100mm, Full width: 113mm, Weight: 162g/box Full length: 10m (25mm/h: approx. 16 days, 50mm/h: approx. 8 days, 100mm/h: approx. 4 days)		
Supply voltage	Type is selectable • 110/220Vac 50/60Hz (Frequency is selectable by gear change) • 115/230Vac 50/60Hz (Frequency is selectable by gear change) Allowable voltage fluctuation: Within $\pm 10\%$ of supply voltage		
Power consumption	SR-201: Approx. 8VA SR-202: Approx. 14VA SR-206: Approx. 11VA	Insulation resistance	10M Ω or greater at 500Vdc
Ambient temperature	0 to 50°C	Dielectric strength	500Vac for 1 min between input terminal and ground terminal 1.5kVac for 1 min between power terminal and ground terminal 1.5kVac for 1 min between alarm terminal and ground terminal
Ambient humidity	35 to 85%RH	Material · Color	Front frame: Resin Color: Black Case : Steel board Color: Gray (Munsell N7.0)
Mounting method	Flush or portable type		
Weight	SR-201: Approx. 3.6kg, SR-202: Approx. 4.8kg, SR-206: Approx. 4.5kg		

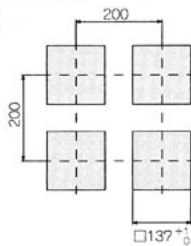
Options

Alarm action [L H]	Action : High and Low limit alarm actions Setting : 1 input (However, for SR-202 type, setting only to the input No1, for SR-206 type, high and low limit setting common to every input.) Setting range : 0~100% Setting accuracy: Within $\pm 2\%$ FS Output : Relay contact 1a \times 2, 220Vac 2A (resistive), 220Vac 0.8A (inductive load $\cos \phi = 0.4$) Type SR-206 is provided with self-holding circuit.
Chart speed [C S □]	Chart speed is to be specified when ordering from: • CS 25M: 25, 50, 100mm/min (Applicable to SR-201, SR-202) • CS12.5H: 12.5, 25, 50mm/h • CS 50H: 50, 100, 200mm/h • CS 100H: 100, 200, 400mm/h • CS 300H: 300, 600, 1200mm/h
Hand strap for portable type [H D]	Easy to carry when this option is applied.

Terminal arrangement

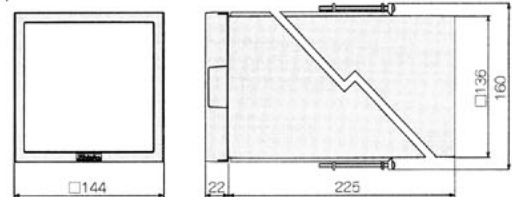


Panel cutout drawing

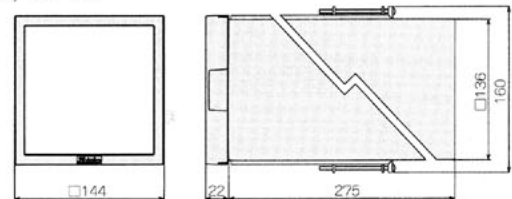


External dimension drawing

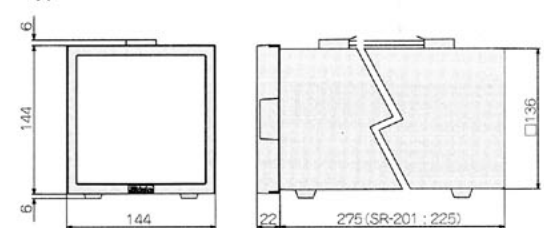
SR-201



SR-202, SR-206



Portable type



- This catalog is as of October 2000, specifications subject to change without notice.
- When inquiring, please contact your shop where purchased or our agency.

Manufacturer:

SHINKO TECHNOS CO., LTD. OVERSEAS DIVISION

Reg. Office : 2-5-1, Senbahigashi, Minoo, Osaka, 562-0035, Japan
Tel : 81 - 72 - 727 - 6100
Fax : 81 - 72 - 727 - 7006
URL : <http://www.shinko-technos.co.jp>
E-mail : overseas@shinko-technos.co.jp