

# Clarity of Display, Superior Functionality

## Large 5-digit LCD display

A specially-designed LCD display makes it easier to view even in bright light and open-air.

## Control output OFF

Indication when control output is OFF can be selected, and PV and alarm output works during control output OFF.



Actual size  
(ACD-13A)

## Easy 3-key operation

Once advanced functions are set, then commonly-used setting items such as SV, Alarm and PID can be easily set in the Simplified setting mode.



Simplified  
setting  
mode usable

## An easily viewable bar graph

MV and DV (deviation) can be read on a 22-dot bar graph. The bar graph for MV and DV indication allows simultaneous PV, SV, MV viewing.

Digital indicating controllers  
ACR-13A, ACD-13A



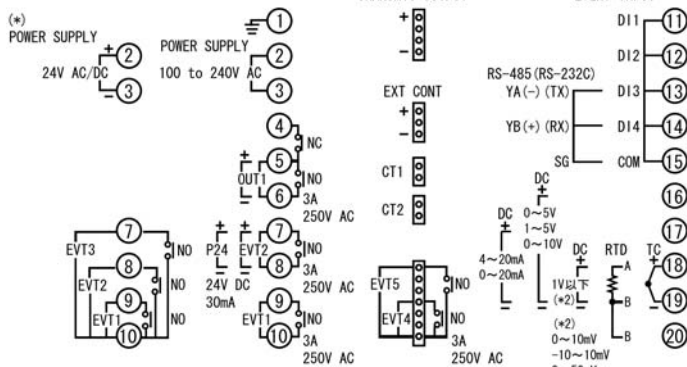
## Specifications

Display	PV display	: ACR-13A 11-segment Backlight LCD Red/Green/Orange, 5 digits, character size: 14.0 x 5.4mm (H x W)
		: ACD-13A 11-segment Backlight LCD Red/Green/Orange, 5 digits, character size: 24.0 x 11.0mm (H x W)
	SV/MV/TIME display	: ACR-13A 11-segment Backlight LCD Green, 5 digits, character size: 10.0 x 4.6mm (H x W)
		: ACD-13A 11-segment Backlight LCD Green, 5 digits, character size: 14.0 x 7.0mm (H x W)
	MV/DV display	: ACR-13A 10-dot bar graph LCD, Backlight Green
	: ACD-13A 22-dot bar graph LCD, Backlight Green	
MEMO/STEP display	: ACR-13A 11-segment Backlight LCD Orange, 2 digits, character size: 10.0 x 4.6mm (H x W)	
	: ACD-13A 11-segment Backlight LCD Orange, 2 digits, character size: 10.0 x 5.0mm (H x W)	
Indicators	: Backlight Orange	
Input sampling period	0.125sec.	
Power supply voltage	100 to 240V AC 50/60Hz Allowable voltage fluctuation range: 85 to 264V AC 24V AC/DC 50/60Hz(*) Allowable voltage fluctuation range: 20 to 28V AC/DC	
Environment	Ambient temperature: 0 to 50°C (32 to 122°F) Ambient humidity: 35 to 85%RH (Non-condensing)	
Case	Material: Flame-resistant resin Color: Black	
Mounting	Screw type mounting brackets (Mountable panel thickness: 1 to 8mm)	
External dimensions	ACR-13A: W48 x H96 x D110mm ACD-13A: W96 x H96 x D110mm	

(\*): Under development.

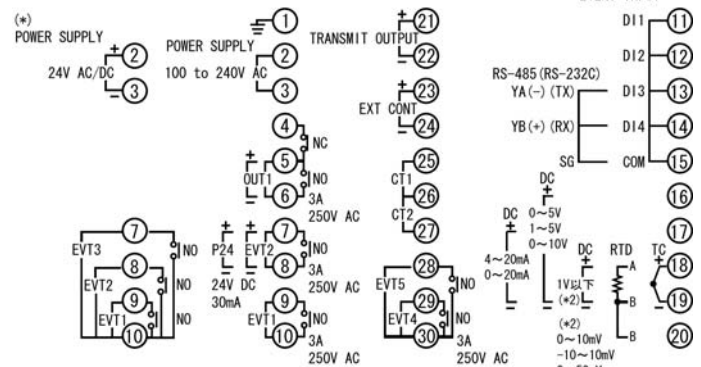
## Terminal arrangement

### ACR-13A



(\*): Under development.

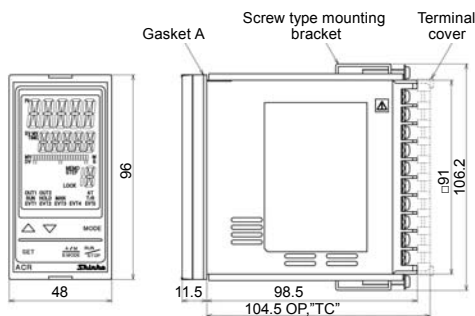
### ACD-13A



(\*): Under development.

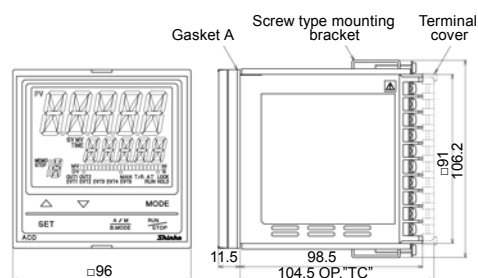
## External dimensions (Scale: mm)

### ACR-13A



Terminal cover: "TC" option

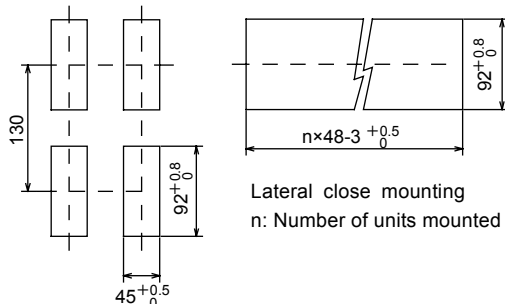
### ACD-13A



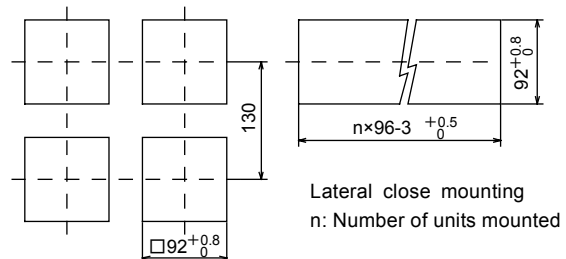
Terminal cover: "TC" option

## Panel cutout (Scale: mm)

### ACR-13A



### ACD-13A



- This catalog is as of January 2008 and its contents are subject to change without notice.
- If you have any inquiries, please consult us or our agency.

## SHINKO TECHNOS CO., LTD. OVERSEAS DIVISION

Reg. Office : 2-5-1, Senbahigashi, Minoo, Osaka, 562-0035, Japan  
 Tel : 81-72-727-6100  
 Fax : 81-72-727-7006  
 URL : <http://www.shinko-technos.co.jp>  
 E-mail : [overseas@shinko-technos.co.jp](mailto:overseas@shinko-technos.co.jp)